

MAIN FEATURES

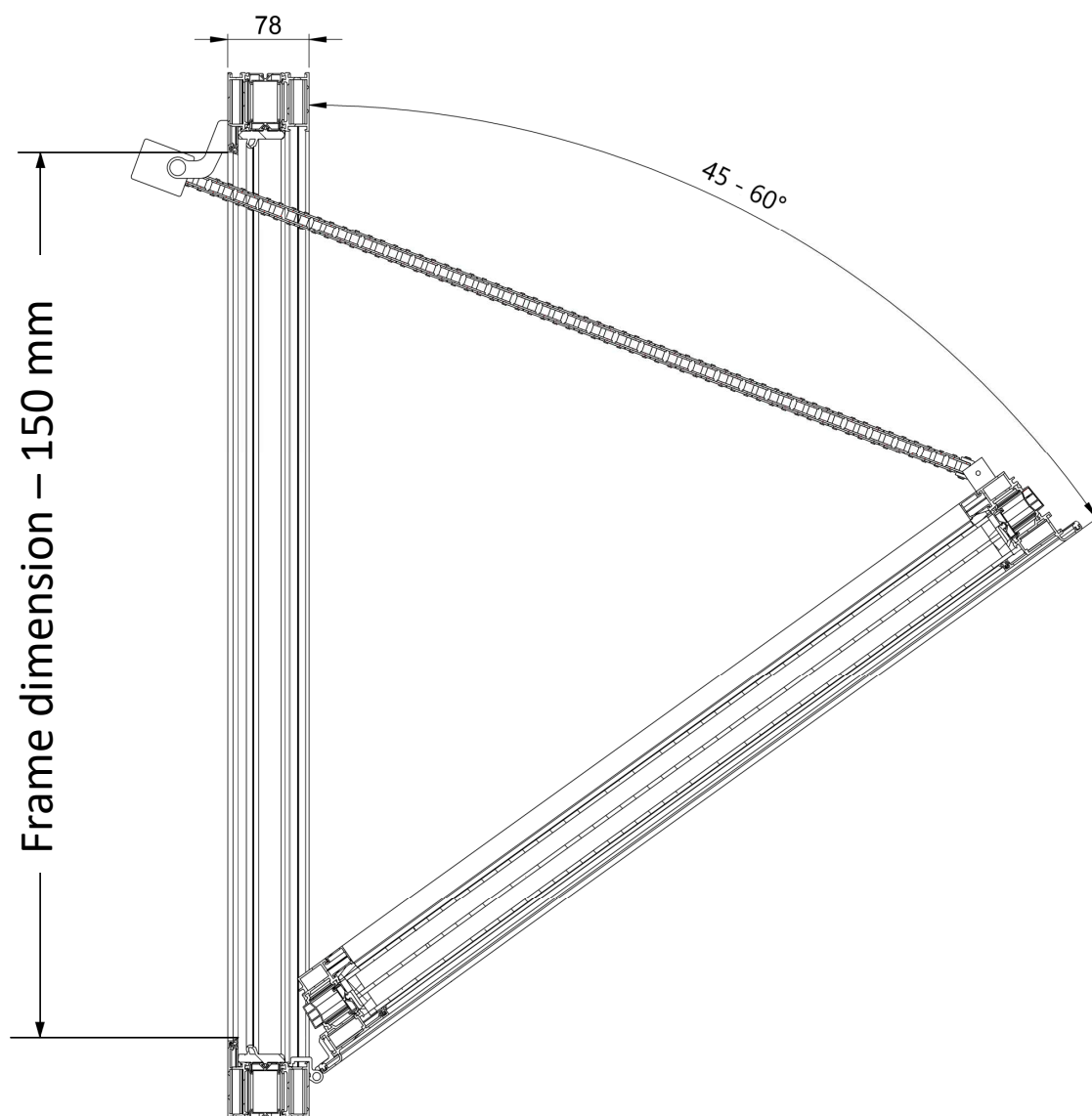
- Tested and CE-marked according to EN 12101-2
- Available 3 layer energy efficient glazing Orivent 70SI-m and sheet metal coated with polyurethane insulation Orivent 70SL-m
- Chain drive
- Nominal voltage: 24 VDC or 230 VAC
- Minimum actuator space required, smooth design
- Low consumption: 1,0 A (24 VDC) ja 65 W (230 VAC) for standard products
- Delivered actuator installed
- opening and closing via SHEV button
- Suitable also for daily ventilation
- Fire rating B600₃₀
- Maximum wind load WL 1500 (closed)
- Reliability Re 1000
- Ambient temperature minimum 0° C
- Protection class IP 32 (chain drive)

STRUCTURE AND MATERIALS

- Insulated aluminium (thermal brake) profile with polyurethane insulation
- Outwards opening, bottom hinged and single leaf
- Completely powder coated structure based on RAL-color chart
 - RAL 3009, 7016, 7024, 7040, 7045, 8019, 8025, 9005, 9006, 9007, 9010 and RR 750 as a standard
- Minimum frame dimension 450x450mm, maximum 1990x1190 mm (width x height)

APPLICATIONS

- Dry warm spaces
 - Like staircases
- for most common wall structures



Size	Frame Width	Frame Height	Frame inner dimensions	Mounting hole dimensions	Efficient area A_a	Nominal current	Weight with 3 layer glazing	Weight with polyurethane insulation
mm	mm	mm	Mm	mm	m ²	A	Kg	Kg
1000 x 1000	990	990	840 x 840	1010 x 1010	0,40	1,0	41	29
1200 x 900	1190	890	1040 x 740	1210 x 910	0,43	1,0	44	33
1200 x 1200	1190	1190	1040 x 1040	1210 x 1210	0,52	1,0	52	36
2000 x 1000	1990	990	1840 x 840	2010 x 1010	0,87	1,0	72	49

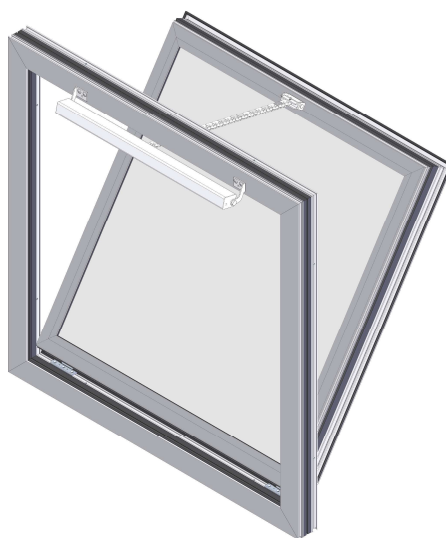
Other dimensions available by order. Minimum frame dimension 450x450 mm, maximum frame dimension 1990x1190 mm (width x height)

ALTERNATIVES

Polyurethane insulated non transparent

Orivent 70SL-m

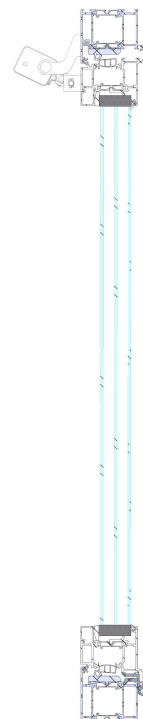
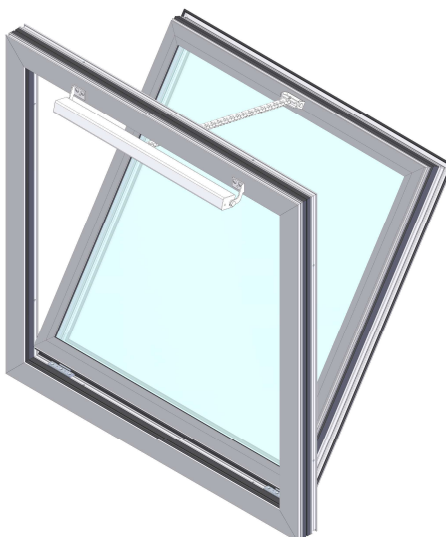
- Average thermal insulation (U-value) 1,0 W/m²K
- Insulation thickness 56 mm on the sash
- Heat galvanized sheet metal both sides of insulation
- All aluminium and metal surfaces pulver coated according to RAL-chart
- Available also with gas spring actuator Orivent 70SL-g
 - Current consumption 0,4 A electrically controlled
 - Closing by hand
 - Possibility also to open without electrical power via mechanical cable
- $R_w(C:C_{tr}) = 30$ dB

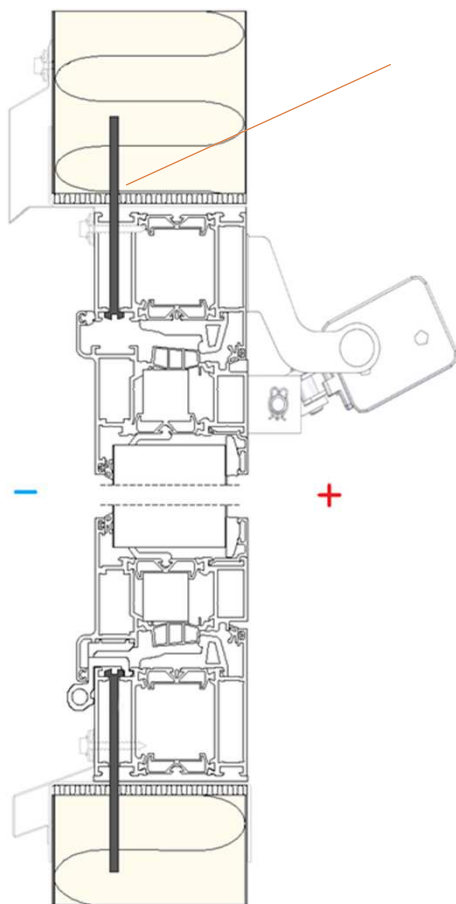


Energy efficient glazed transparent

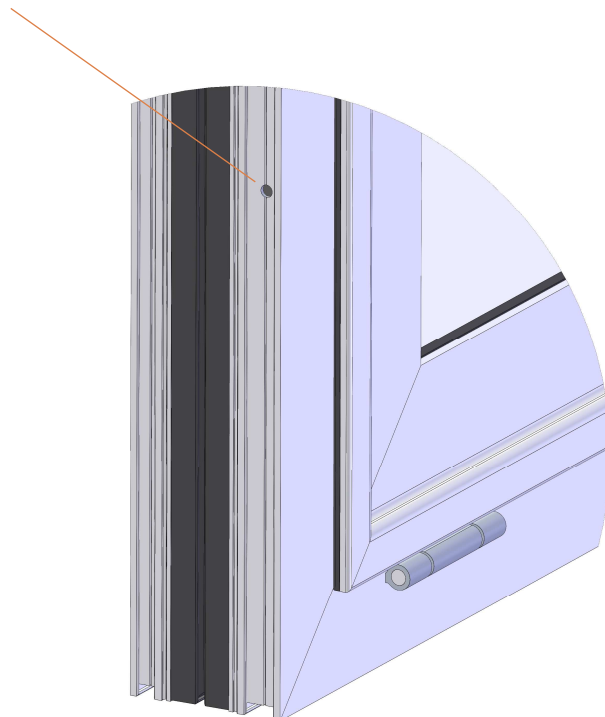
Orivent 70SI-m

- Average thermal insulation (U-value) 1,0 W/m²K
- 3 layer glazing with argon filling and selective surfaces
- Transparent part 275 mm smaller than outer dimensions
- All aluminium surfaces pulver coated according to RAL-chart
- $R_w(C:C_{tr}) = 33$ dB



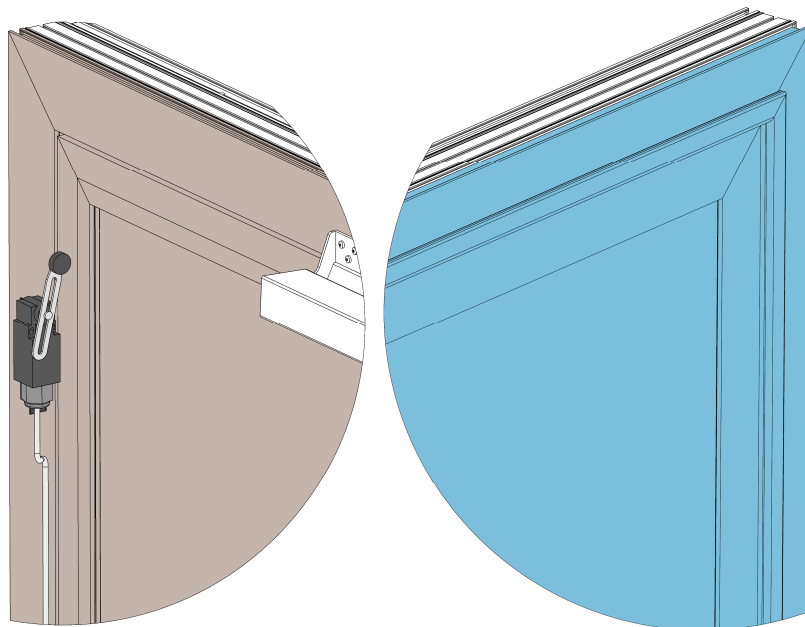


Easy to install
 Perforation for screws



OPTIONS

1. Separate mechanical limit switch 230 VAC
 fex. BAS
2. Different RAL-color to inside than outside
 possible
3. Rack and pinion drive available instead of
 chain drive if needed.



ORIVENT BIM-OBJECTS,
 Download ready to use 3D-models from ProLib-
 Product library



062021